

WorldKey Lite

Cashless without limits



Expressly designed for the vending industry

Create customer loyalty and boost sales thanks to WorldKey Lite

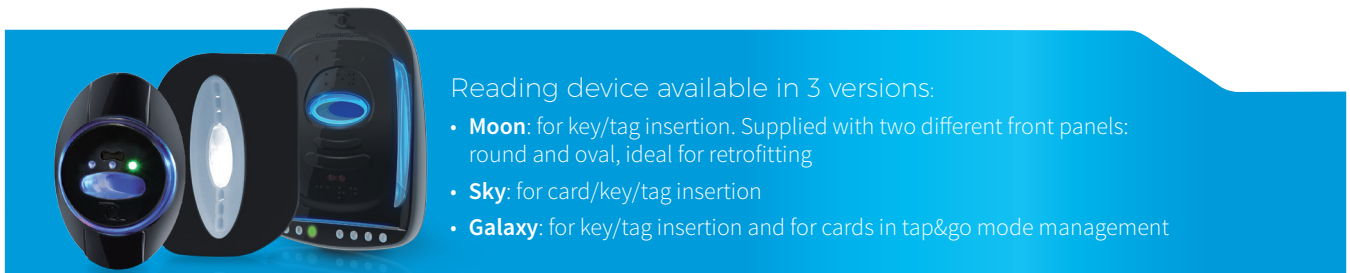
The WorldKey Lite system uses the Mifare® (standard, Plus, DesFire, NFC) technology platform to ensure high safety standards and management of multiple applications. Security in transferring data is ensured by the combination of the proprietary encryption Mifare® and RFTech TDES (Triple Data Encryption Standard).

WorldKey Lite allows you to manage several sales or identification applications (access to multiple services also of different operators), storing them on a single RFID support (card/key/tag/sticker). The applications can be used within a single infrastructure or extended to different businesses, either visibly or hidden.

WorldKey Lite allows all types of supports (card, keys or any other form of RFID tag/sticker) to be used for payment. For the Vending sector, WorldKey Lite supports all most used protocols (Executive, MDB, BDV).

Features

- System including one CPU unit and a reading device connected by a “smart” coaxial cable (patent pending)
- CPU equipped with micro USB port for connection to the PC (or for piloting an external device) and to Universal Hand-Held Programming Device
- Reading devices equipped with semaphore signals according to the EVA-CVS standard with 3 status LEDs (red, yellow, green and buzzer). Infrared interface for collecting audit/log data and programming the readers
- Supported vending protocols: Executive master/slave, MDB master/slave and BDV master/slave
- Cards/keys/tags identification upon first insertion into the CPU
- Possibility of connecting a WiFi module for audit data



Functionality

- Different prices management
- Sales prices (80x3 cashless prices + 80 cash prices)
- Single cash sales or multiple cash sales
- Direct coin validator management
- 3 security codes management (operator, rental, machine)
- Machine No. modifiable by the user machine No
- Maximum value management
- Differentiated key management
- Black list/white list/log file management
- Time slots management
- Bonus management
- Accounting data management
- On-field firmware updating

Tools

UNICO configuration program

For collecting and managing audit/log data (pursuant to the EVA-DTS standard or Windows Excel), programming operating parameters and managing all functions of the cards/keys/tags.

Software for card management (code RFT-CARD-SW)

Software for audit and log management (code RFT-AUDIT-SW)

Universal Hand-Held Programming device

To program WorldKey on-field or download the audit data via infrared connection

Programming key and Clone programming key

Audit key



Optional accessories

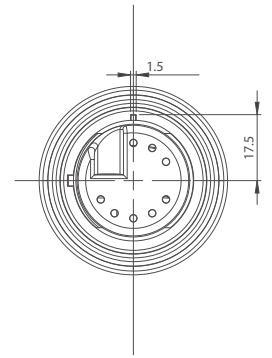
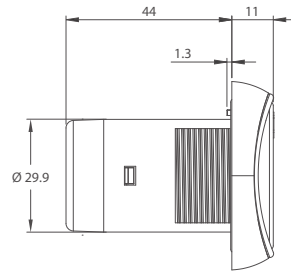
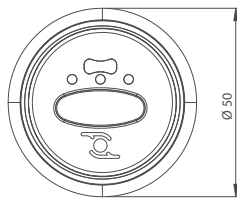
- Customisable RFID keys/tags/cards/stickers by quantity
- Credit Box for transferring credits
- LCD display
- Printer
- Countertop recharge box



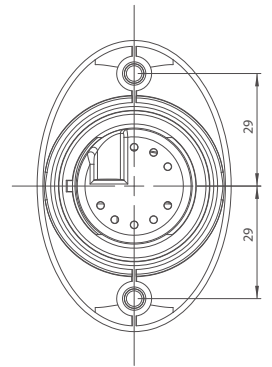
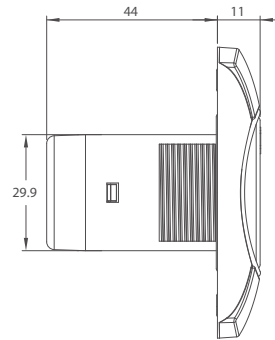
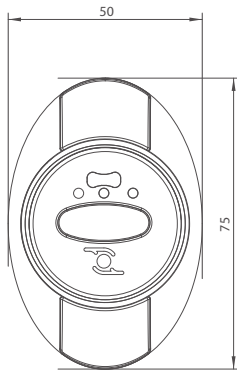
Technical Schematics



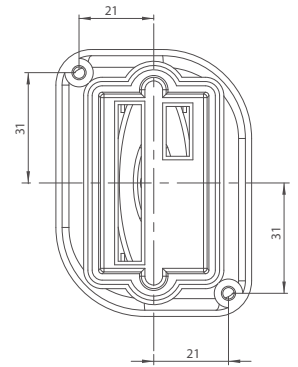
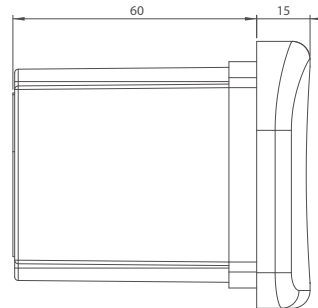
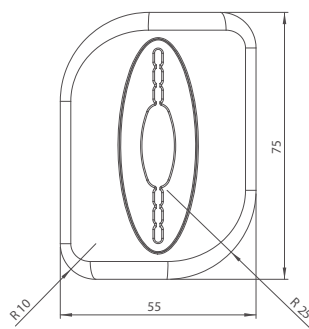
Moon
Reading device for keys and tags
Round front plate



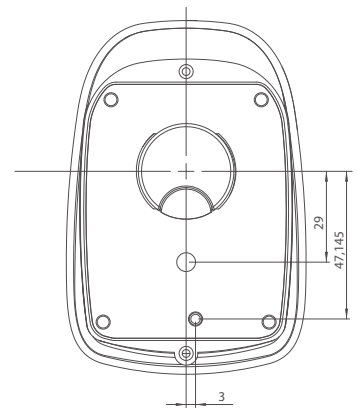
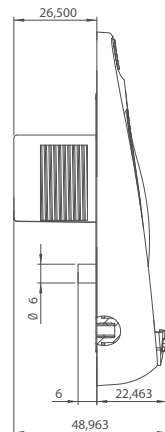
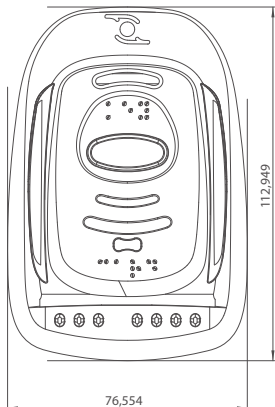
Moon
Reading device for keys and tags
Oval front plate



Sky
Reading device for keys, tags
and insertion cards



Galaxy
Universal reading device
for keys, tags and tap & go cards



Unit of measure: mm

